

Model: JSMA-PBC08AWA

No.	Item	Symbol	Unit	Specification	No.	Item	Symbol	Unit	Specification
1	Drive	-	-	3 φ 220VAC	13	Rotor Inertia	J-M	kg-cm ²	1.51±10%
2	Cooling Method	-	-	Totally Enclosed	14	Rated Power Rate	Q-R	Kw/s	37.73
3	Exciting Method	-	-	Permanent Magnet	15	Resistance	Ra	Ω	1.48±10%/2 φ
4	Resolution	-	-	23 bit ABS	16	Inductance	L	mH	10.1±10%/2 φ
5	Rated Output	P-R	KW	0.75	17	Mech. Time Constant	Tm	ms	0.97±10%
6	Rated Torque	T-R	N-m	2.39	18	Elect. Time Constant	Te	ms	6.82±10%
7	Max. Torque	T-max	N-m	7.16	19	Insulation Class	-	-	Class F
8	Rated Speed	N-R	rpm	3000	20	Operation Temp.	T	°C	0~40
9	Rated Current	I-R	A	4.3	21	Operation Humd.	RH	%	<80
10	Max. Current	I-max	A	14.0	22	Storage Temp.	T	°C	-20~60°
11	Torque Constant	Kt	N-m/A	0.56±10%	23	Storage Humd.	RH	%	<80
12	Ke constant	Ke	V/Krpm	37.3±10%/2 φ	24	Weight	W	kgw	2.7

PIN	Signal	Color
1	Vcc	red
2	GND	black
3	VB+	brown
4	VB-	brown/black
5	SD+	blue
6	SD-	blue/black
7		
8		
9	FG	SHIELD

1	U	Red
2	V	White
3	W	Black
4	GND	Y/G

Motor Connection

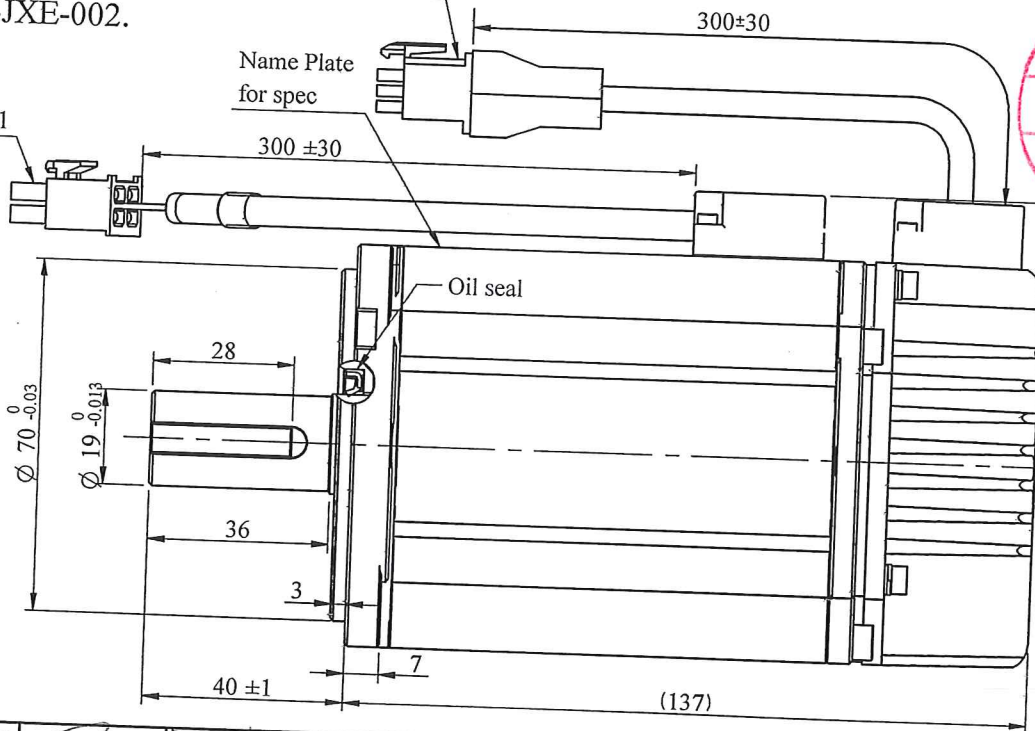
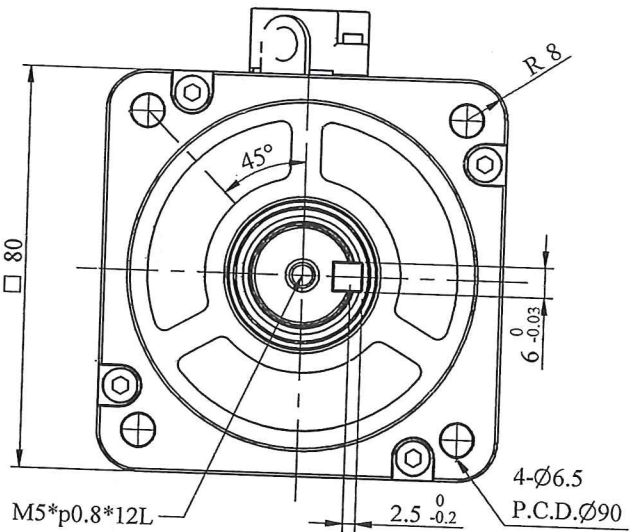


Name Plate for Notice

Note:
 1. Motor to be IP67. (excluding the shaft opening & connectors)
 2. The detail of Name plate for Spec. refers to the file DC-JXE-002.

PIN: AMP 770835-1
 HOUSING: AMP 172169-1

PIN: AMP 170360-1
 HOUSING: AMP 172167-1



Name Plate (for Notice)

STANDARD TOLERANCE.	
X	±0.5
.X	±0.2
.XX	±0.05
ANGLE	±30'

MATERIAL	REV	DESCRIPTION	SIGNATURE	DATE	APVD	CHKD	CHKD	DWN
						Michelle		Chase

SCALE	2/3	UNIT	mm	NAME	Servo Motor Outline Drawing	
3RD .A.P				TITLE	JSMA-PBC08AWA	
				Dept. Design	DWG. NO.	D01E08751C3NR3C01